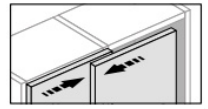


MEG_SLIDING DOOR



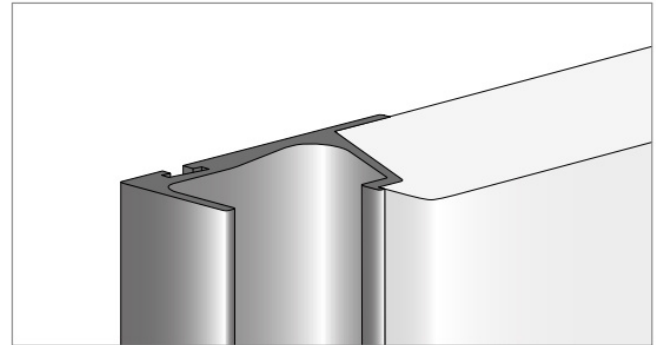
FRONTS

- matt lacquered
- wood

TECHNICAL SPECIFICATIONS

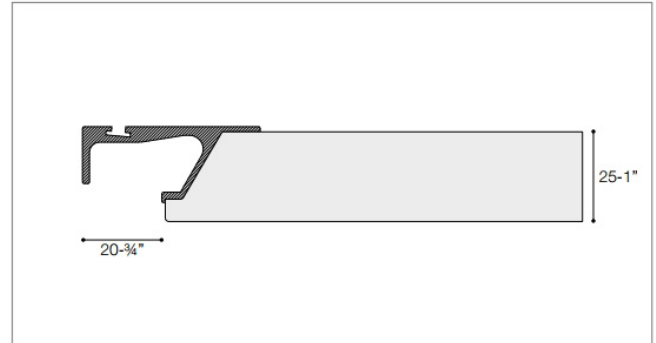
- The Meg sliding door consists of:
- a 25mm-1" thick low formaldehyde wood particle panel.
 - full-height handle profile

SECTION



HANDLE PROFILE

- matt lacquered
- metal standard



DOOR SIZES

| | H. 2384-93 ⁷ / ₈ " | H. 2544-100 ¹ / ₂ " | H. 2896-114" |
|--|--|---|--------------|
| W. 770-30 ³ / ₈ " | * | * | - |
| W. 920-36 ¹ / ₄ " | • | • | - |
| W. 1020-40 ¹ / ₈ " | • | • | - |
| W. 1220-48" | - | - | - |
| W. 1370-53 ⁷ / ₈ " | - | - | - |
| W. 1520-59 ⁷ / ₈ " | - | - | - |

BUILT-IN HANDLE IN THE FULL-HEIGHT PROFILE

- = AVAILABLE
- = NOT AVAILABLE

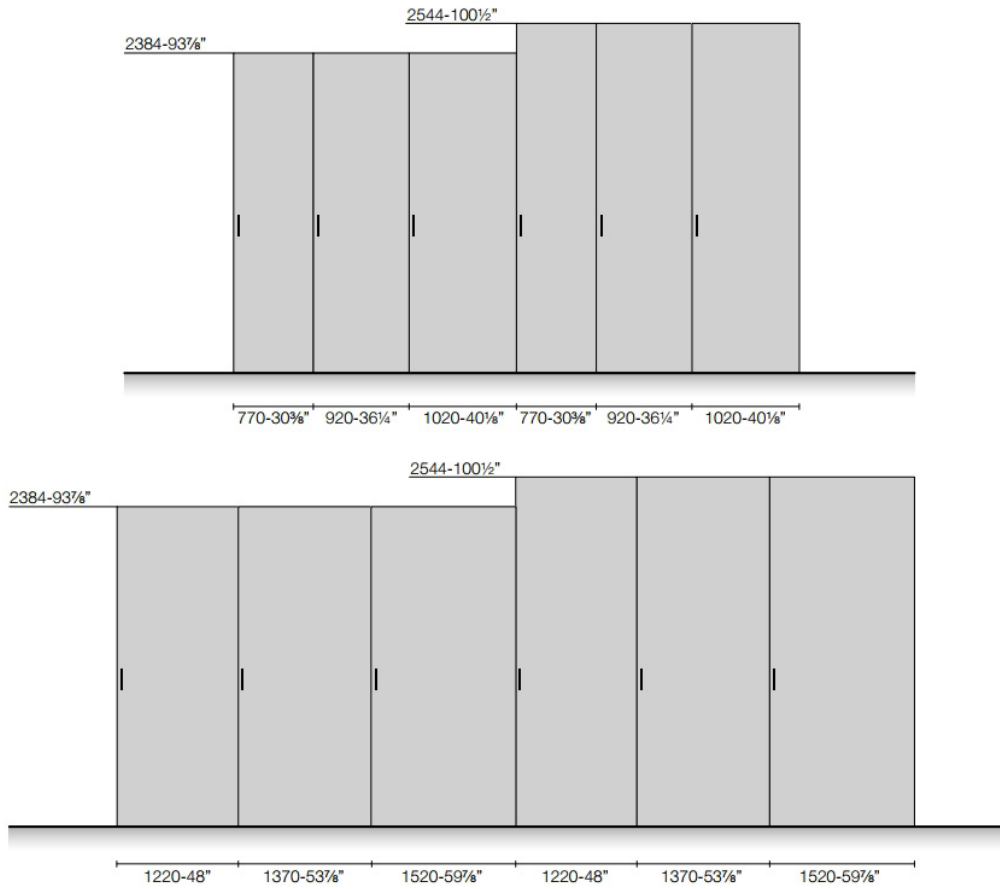
- * = THE DOOR W. 770-30³/₈" CANNOT BE SUPPLIED WITH A SOFT CLOSING MECHANISM

CUSTOM REDUCTIONS ON PAGE 183

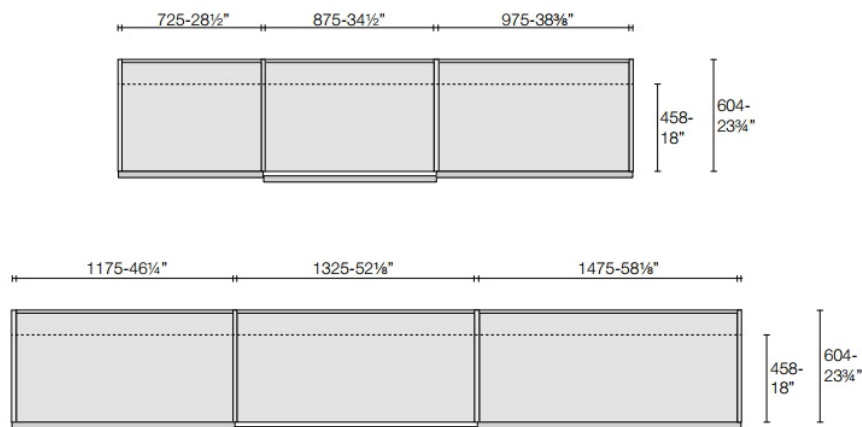
SLIDING DOOR WARDROBES

DIMENSIONAL CHARACTERISTICS

HEIGHT



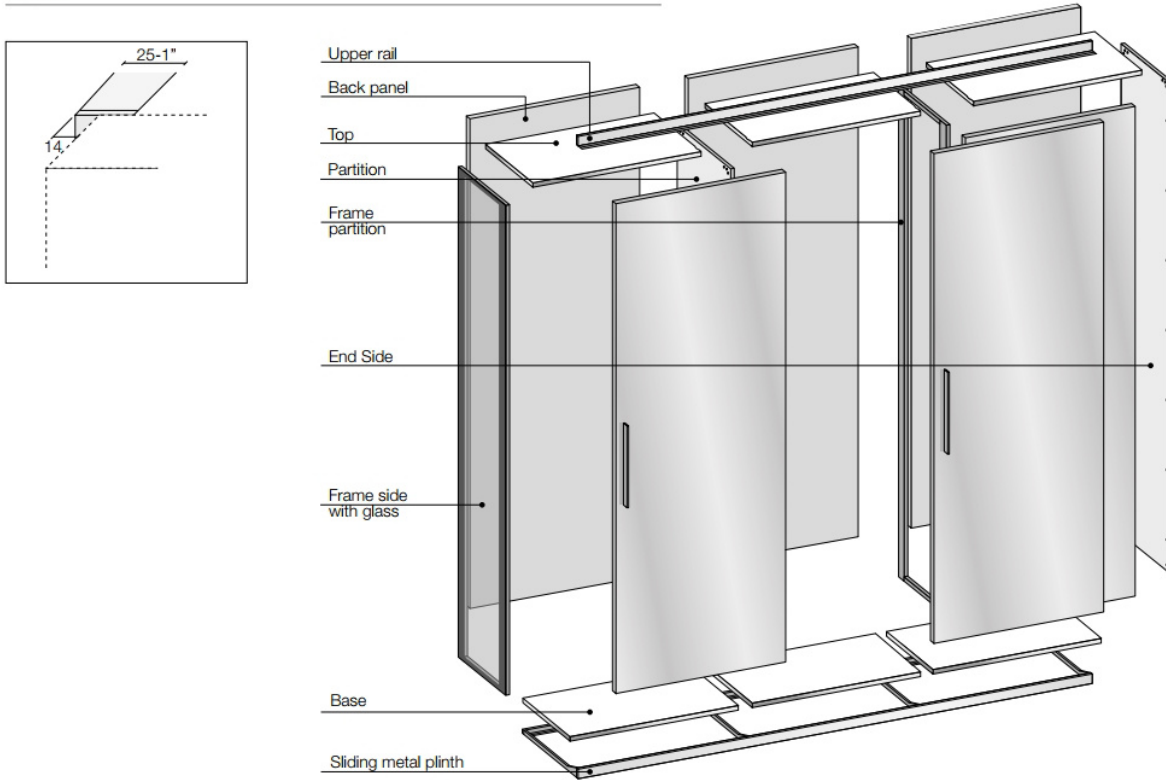
STRUCTURE WIDTH AND DEPTH (EXCLUDING DOOR)



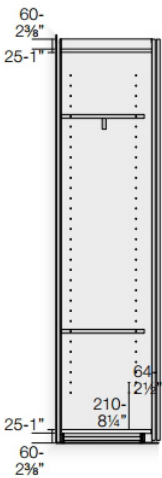
- All wardrobes are supplied with a base made of metal profiles and adjustable feet that ensure, besides quick assembly, excellent and durable stability as well as perfect door closure. The framework is supplied in a single piece the same length as the wardrobe up to a maximum length of 4.975 mm.
- The removable bottom panel allows easy cleaning and can be used as a secret compartment; it is not available in compartments with drawer packs, interior partitions and in wardrobes with coplanar sliding doors.
- **The price of the modules always includes a structural shelf and two standard clothes hanger rails.**
- **The price of the module with side depth reduced to 458-18" mm, is equal to the price of the module with standard depth.**
- **The price of the modules also includes the plinth.**

SLIDING DOOR WARDROBES

SIDE



Constant holes at 64-2½ " mm pitch (standard)



Holes only on the shelves. The positioning of the shelves will always follow the reference hole at a pitch of 64-2½" mm (on request)



The holes only on the shelves will be supplied on request and at the same price and a drawing with the necessary dimensions must be provided by you, always following the reference holes at a pitch of 64mm - 2½".

ASSEMBLY CHARACTERISTICS

To assemble the wardrobe, a space of 30mm-1½" in width is required for all the opening systems.

A space of 25mm-1" in height is required to assemble the hinged door wardrobe.

To assemble the sliding and coplanar wardrobe, this height space is required:

+ 40mm / 1 5/8"
for assembly of the doors

+ 70mm / 2 3/4"
for easy adjustment

Space occupied by the mechanisms of the sliding and coplanar wardrobe in height for the external assembly and subsequent insertion in the recess:

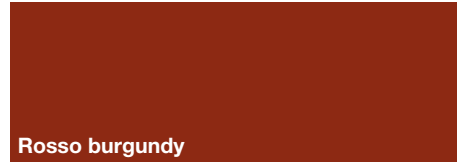
+ 30mm-1 1/8"

| GLAMOUR | ELEGANCE | NATURAL |
|--|---|---|
|  Bianco giglio |  Bianco neve |  Alloro |
|  Corda |  Grigio agata |  Verde quarzo |
|  Tortora |  Grigio polvere |  Verde salvia |
|  Beige fango |  Grigio nebbia |  Verde timo |
|  Beige argilla |  Grigio tasmania | |
|  Marrone corteccia |  Grigio Londra | |
|  Beige gypso |  Anthracite Gray | |
|  Grisbeige |  Nero frac | |
|  Comfort | | |
|  Grigio creta | | |
|  Titanio | | |

HARMONY

ROMANTIC

ENERGY



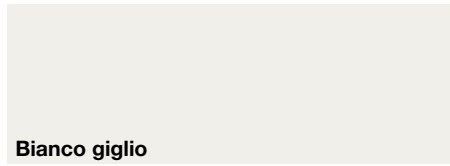
CONFORMITY TO SAMPLE

Conformity to the sample should not be understood in an absolute sense since there are margins of tolerance due to product variations (colors, materials, sizes) or caused by environmental factors (light, humidity, etc.). In case of completion of the order at a later time, perfect equality of colors and/or coatings between the original composition and the additional elements is not guaranteed. **N.B.: reproduction of colors on paper may show slight color differences from the originals.**

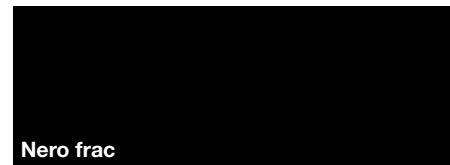
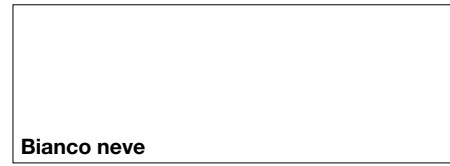
FINISHES

Vetro satinato o lucido retrolaccato
Satin-finished or polished back-lacquered glass

GLAMOUR



ELEGANCE



FINISHES

WOOD VENEERS

